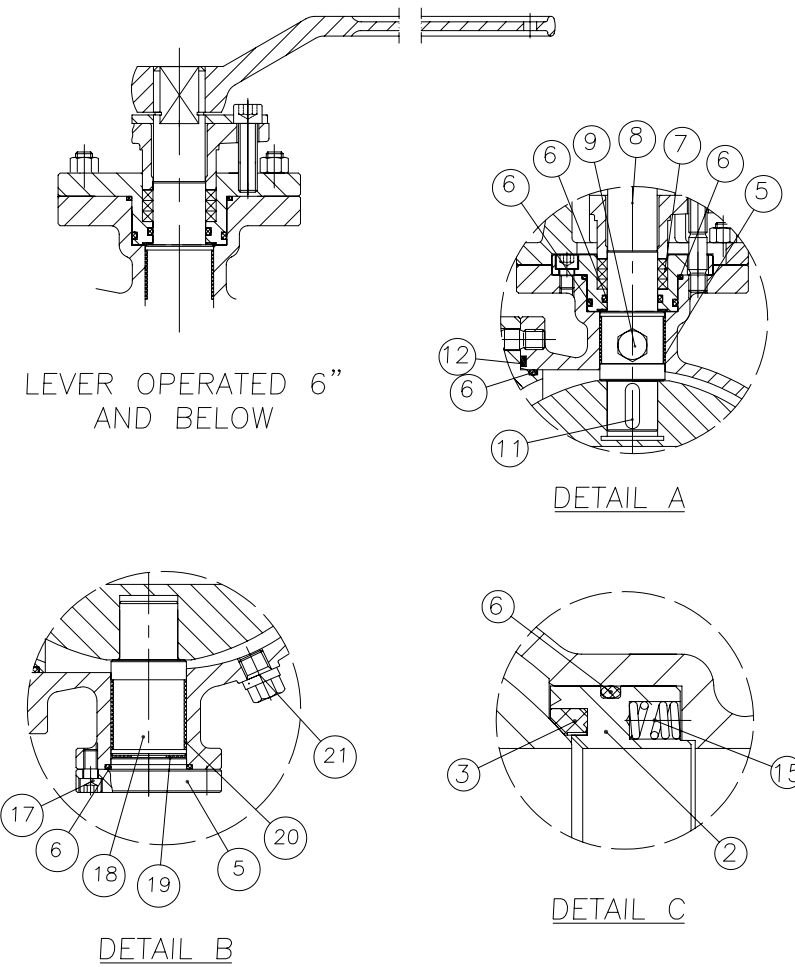
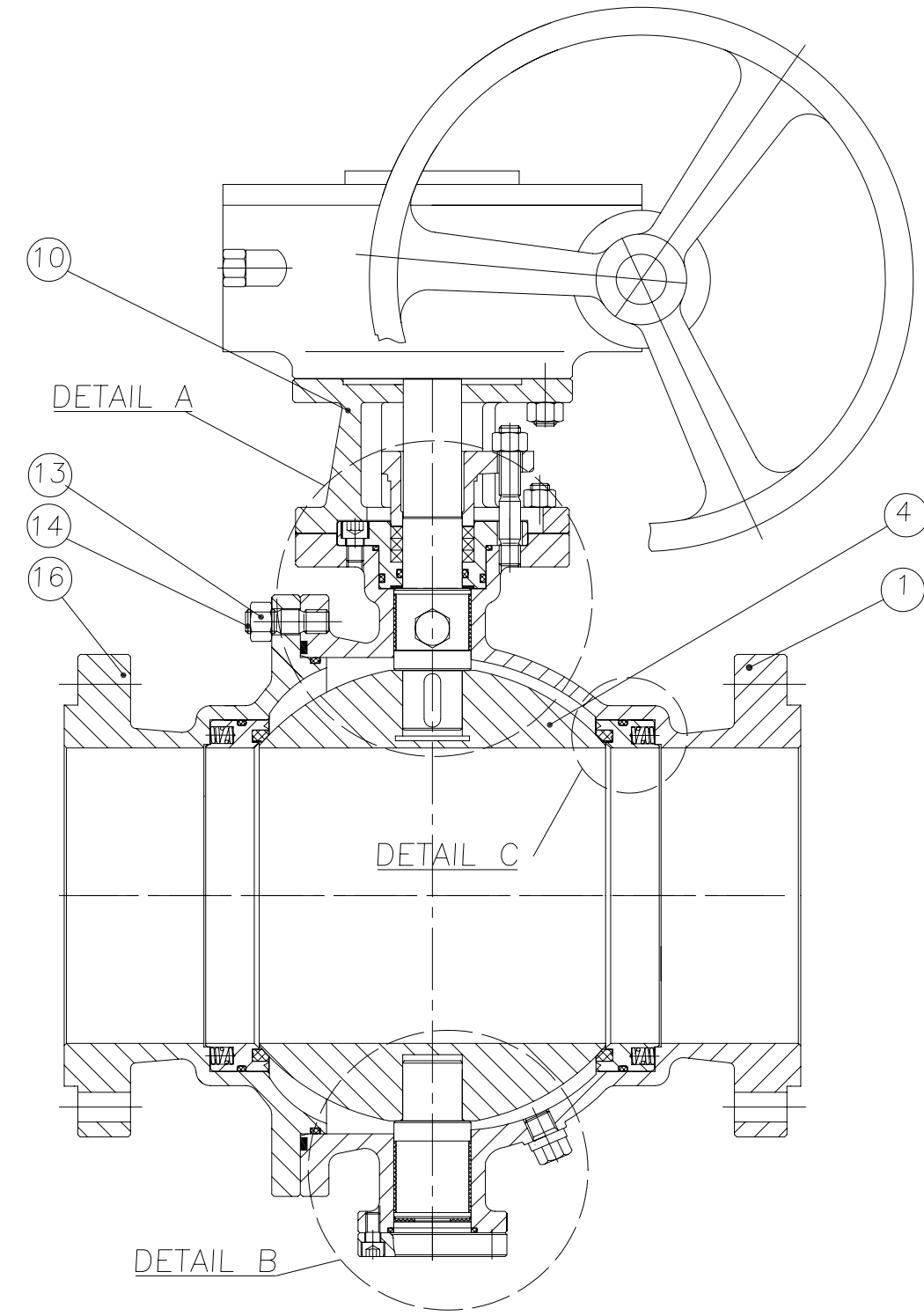
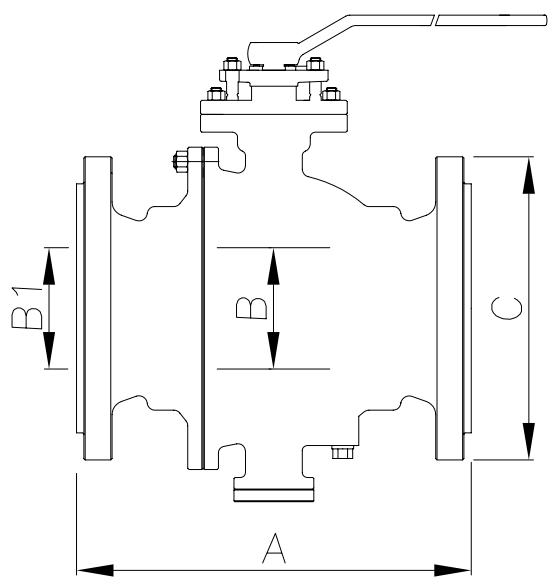


FIRE SAFE DESIGN TO API 607; TEST AND INSPECTION TO API 598; VALVES ARE IN ACCORDANCE WITH NACE MR-01-75 LATEST REV
 All drawings are subject to copyright, reproduction only with express permission of Edmund Valve Company (1965) Ltd. Subject to updating and revision.



NO	PART NAME	MATERIAL	NOTES
21	DRAIN VALVE	AISI 1020+Zn	
20	BOTTOM COVER	ASTM A216 WCB/A105	
19	LOWER THRUST WASHER	PTFE	
18	FIXED SPINDLE	A182 F316	
17	SCREW	A193 GR.B7M	
16	BONNET/CLOSURE	ASTM A216 WCB	
15	SPRING	AISI 304 SS	
14	STUD	A193 GR.B7M	
13	NUTS	A194 GR.2HM	
12	GASKET	SS316+GRAPHITE	
11	KEY	A182 F316	
10	SUPPORT	ASTM A216 WCB	
9	VENT VALVE	AISI 1020+Zn	
8	STEM	A182 F316	
7	PACKING	PTFE	
6	O-RING	VITON	
5	SLIDING BEARING	PTFE/STAINLESS STEEL	
4	BALL	AISI 316 SS	
3	SEAT	NYLON	
2	SEAT CARRIER	A182 F316	
1	BODY	ASTM A216 WCB	

Size	A			B	B1	C
	RF	RTJ	WE			
2"	292	295	292	51	51	165
3"	356	359	356	77	77	210
4"	432	435	432	102	102	273
6"	559	562	559	152	152	356
8"	660	664	660	203	203	419
10"	787	791	787	254	254	510
12"	838	841	838	305	305	559
14"	889	892	889	337	337	605
16"	991	994	991	387	387	685
18"	1092	1095	1092	438	438	745
20"	1194	1200	1194	489	489	815
24"	1397	1406	1397	591	591	940



DESIGN CODE	API 6D/ANSI B16.34	TEST PRESSURES		
FACE TO FACE DIMENSIONS	ASME B16.10	BODY	153.1	Barg
ENDS FLANGES DIMENSIONS	ASME B16.5	SEAT	112.3	Barg
TESTING CODE	API 598	SEAT - AIR	6.0	Barg

REV	DATE	DESCRIPTION	BY	CHK	APP	SCALE:		
						DRAWN	DM	DATE
						CHECKED	SMN	DATE
						APPROVED	AW	DATE

DRAWING TITLE:
 API 6D, CARBON STEEL CLASS 600
 TRUNNION MOUNTED, RF, BALL VALVE

CLIENT:
 VENDOR PO REF:
 EVC REF:

CAD. No. DRAWING NUMBER: 120018 REV
 AREA No. 1 FACILITY TYPE SEQ. No. SHT. No. 01