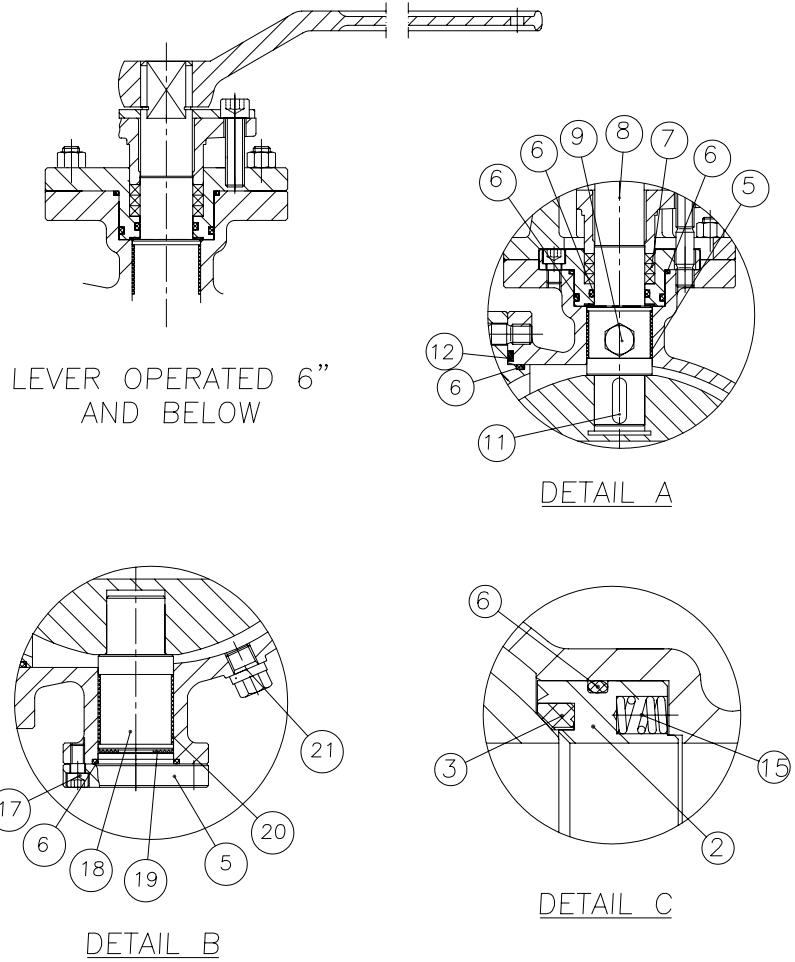
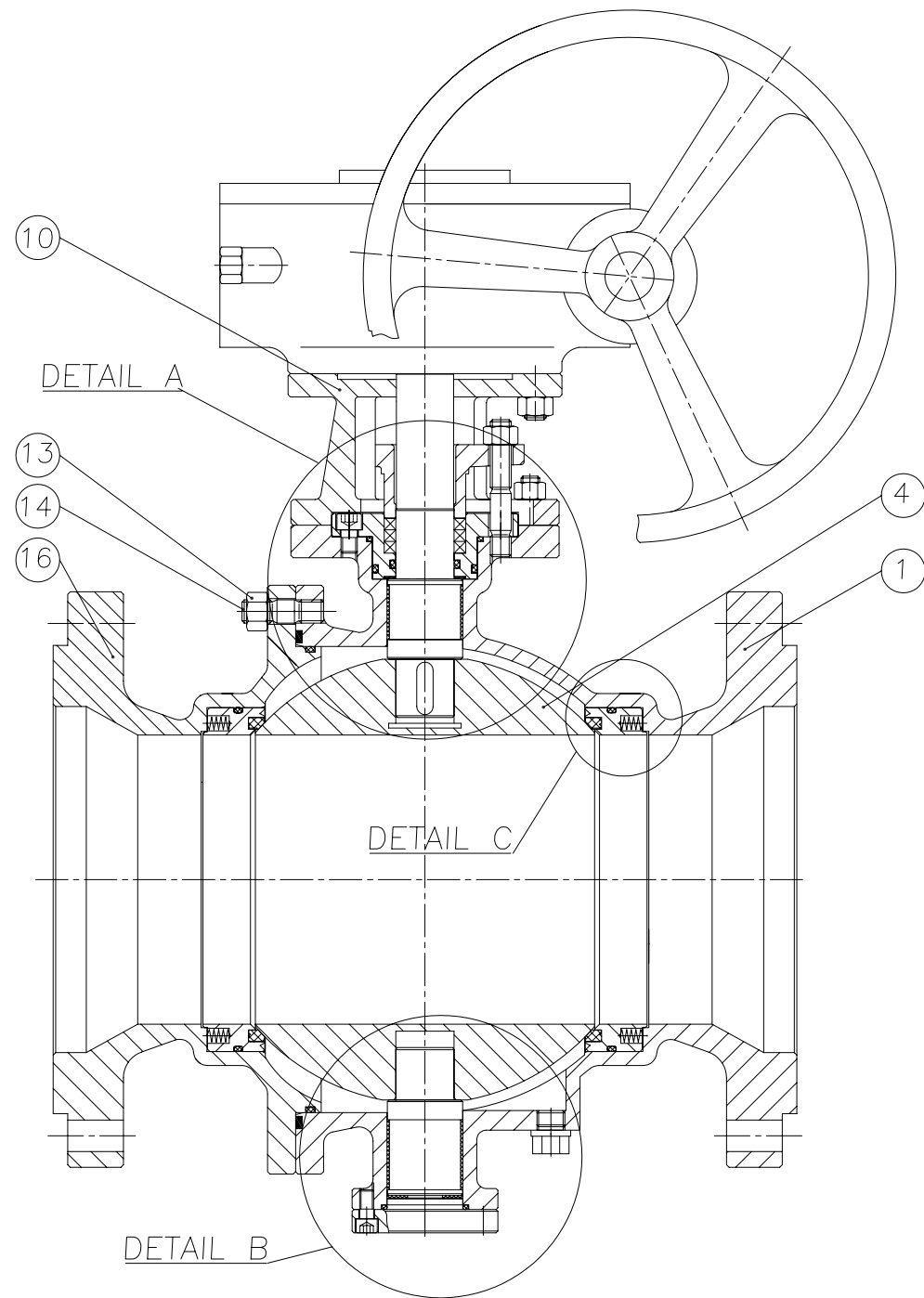
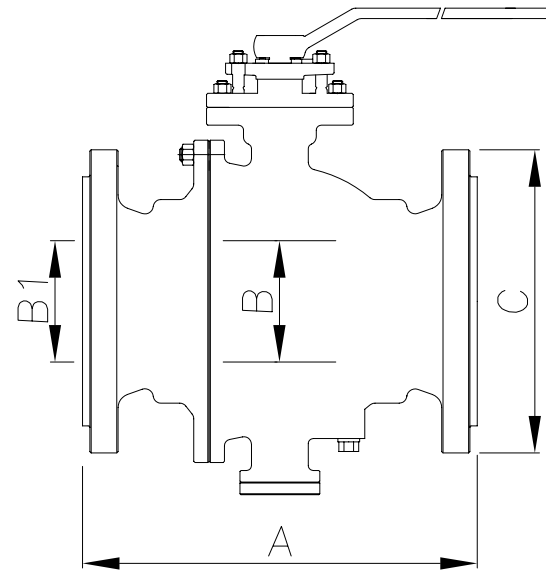


FRESAFE DESIGN TO API 607, TEST AND INSPECTION TO API 598 VALVES ARE IN ACCORDANCE WITH NACE MR-01-75 LATEST REV
 All drawings are subject to copyright, reproduction only with express permission. Subject to updating and revision.



| NO | PART NAME | MATERIAL | NOTES |
|----|---------------------|----------------------|-------|
| 21 | DRAIN VALVE | AISI 1020+Zn | |
| 20 | BOTTOM COVER | ASTM A216 WCB/A105 | |
| 19 | LOWER THRUST WASHER | PTFE | |
| 18 | FIXED SPINDLE | A182 F316 | |
| 17 | SCREW | A193 GR.B7M | |
| 16 | BONNET/CLOSURE | ASTM A216 WCB | |
| 15 | SPRING | AISI 304 SS | |
| 14 | STUD | A193 GR.B7M | |
| 13 | NUTS | A194 GR.2HM | |
| 12 | GASKET | SS316+GRAPHITE | |
| 11 | KEY | A182 F316 | |
| 10 | SUPPORT | ASTM A216 WCB | |
| 9 | VENT VALVE | AISI 1020+Zn | |
| 8 | STEM | A182 F316 | |
| 7 | PACKING | PTFE | |
| 6 | O-RING | VITON | |
| 5 | SLIDING BEARING | PTFE/STAINLESS STEEL | |
| 4 | BALL | AISI 316 SS | |
| 3 | SEAT | NYLON | |
| 2 | SEAT CARRIER | A182 F316 | |
| 1 | BODY | ASTM A216 WCB | |

| Size | A | | | B | B1 | C |
|-----------|------|------|------|-----|-----|-----|
| | RF | RTJ | WE | | | |
| 2"x1 1/2" | 292 | 295 | 292 | 38 | 51 | 165 |
| 3"x2" | 356 | 359 | 356 | 51 | 77 | 210 |
| 4"x3" | 432 | 435 | 432 | 77 | 102 | 273 |
| 6"x4" | 559 | 562 | 559 | 102 | 152 | 356 |
| 8"x6" | 660 | 664 | 660 | 152 | 203 | 419 |
| 10"x8" | 787 | 791 | 787 | 203 | 254 | 510 |
| 12"x10" | 838 | 841 | 838 | 254 | 305 | 559 |
| 14"x12" | 889 | 892 | 889 | 305 | 337 | 605 |
| 16"x14" | 991 | 994 | 991 | 337 | 387 | 685 |
| 18"x16" | 1092 | 1095 | 1092 | 387 | 438 | 745 |
| 20"x18" | 1194 | 1200 | 1194 | 438 | 489 | 815 |
| 24"x20" | 1397 | 1406 | 1397 | 489 | 591 | 940 |



| DESIGN CODE | API 6D/ANSI B16.34 | TEST PRESSURES | | |
|-------------------------|--------------------|----------------|-------|------|
| FACE TO FACE DIMENSIONS | ASME B16.10 | SHELL | 153.1 | Barg |
| ENDS FLANGES DIMENSIONS | ASME B16.5 | SEAT | 112.3 | Barg |
| TESTING CODE | API 598 | AIR | 6.0 | Barg |

| REV | DATE | DESCRIPTION | BY | CHK | APP | SCALE: | | |
|-----|------|-------------|----|-----|-----|----------|-----|------|
| | | | | | | DRAWN | DM | DATE |
| | | | | | | CHECKED | SMN | DATE |
| | | | | | | APPROVED | AW | DATE |

DRAWING TITLE:
 API 6D, CARBON STEEL CLASS 600
 TRUNNION MOUNTED, RF, RB, BALL VALVE

CLIENT: .
 VENDOR PO REF: .
 EVC REF: .

CAD. No. . DRAWING NUMBER: 120044 REV
 AREA No. 1 FACILITY TYPE SEQ. No. SHT. No. 01